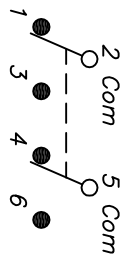
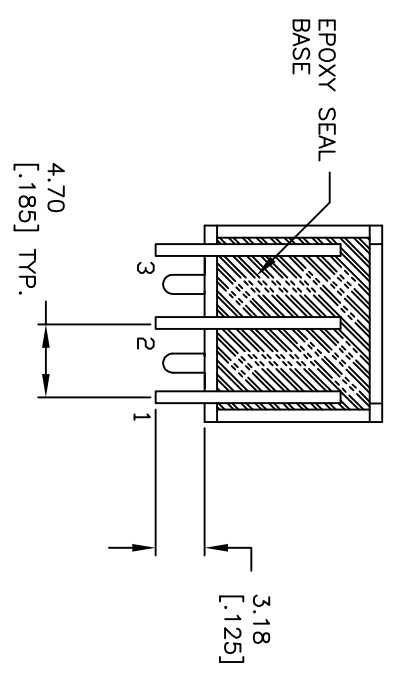
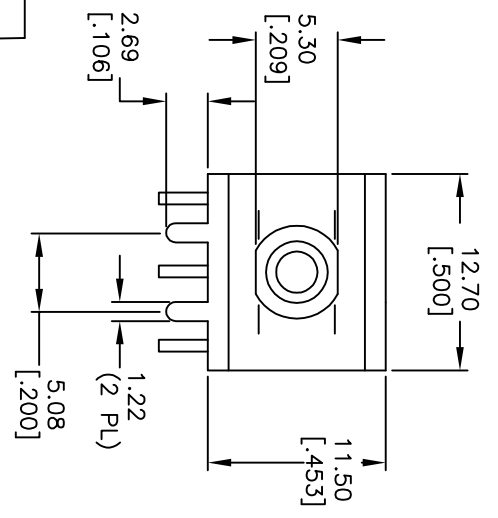


RECOMMENDED P.C.B. LAYOUT

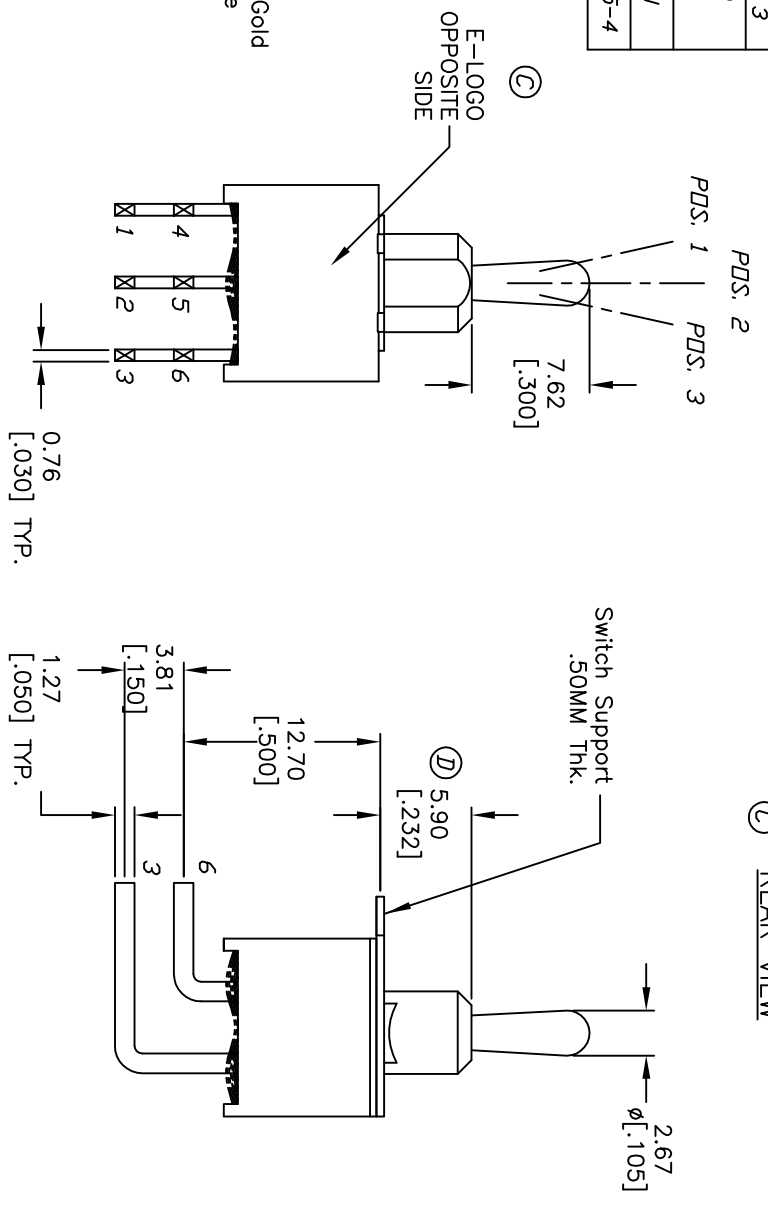


CIRCUIT: DPDT CONTACT CONFIGURATION

SWITCH FUNCTION		
PDS. 1	PDS. 2	PDS. 3
DN	DFE	DN
2-3,5-6	OPEN	2-1,5-4



(C) REAR VIEW



- NOTES:
1. ALL DIMENSIONS IN MM [INCH]
 2. GENERAL TOLERANCE: X.X=±0.4
X.XX=±0.25
 3. TERM. NOS. FOR REF. ONLY
 4. RATING: 0.4(VA) Max. @20V (AC or DC)
 5. FIXED TERM. & MOVING CONTACT: COPPER ALLOY W/Gold PLATE over NI Plate
 6. ELECTRICAL LIFE: 50,000 make-and-break cycles at full load.
 7. INSULATION RESISTANCE: 1,000M ohm min.
 8. DIELECTRIC STRENGTH: 1,000V RMS @sed level.
 9. OPERATING TEMP.: -30°C to 85°C.
 10. 2002/95/EC (ROHS) COMPLIANT

D	18072	BUSHING HEIGHT DIM REVISED	4/28/08	BLR
C	12042	REVISED	4/4/02	CJB
REV.	ECN No.	DESCRIPTION	DATE	CHKD

TITLE		E-SWITCH	
100A WDP-3 T2 B4 M6 R E			
SCALE	DATE	DR	DWG
2:1	12/11/01	CJB	T102305
REV			D

THE INFORMATION CONTAINED IN THIS DOCUMENT IS PROPRIETARY TO E-SWITCH AND IS NOT TO BE COPIED OR TRANSFERRED